

## CONSUMER TO PROVIDE AND HAVE INSTALLED

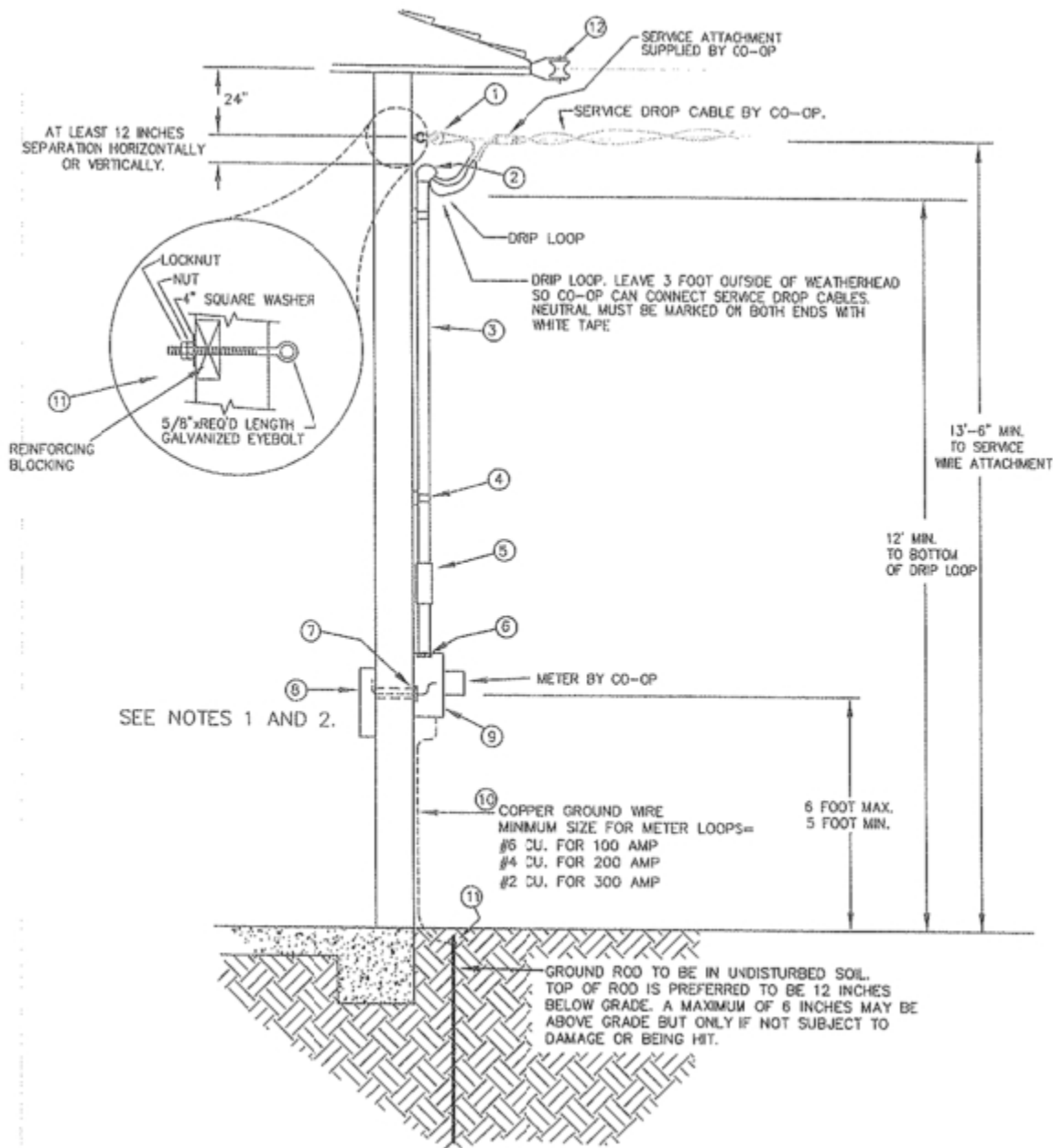
1. RIGID GALVANIZED STEEL CONDUIT AND ROOF PLATE CONDUIT SIZES:  
 2 INCH FOR #2 CONDUCTORS = 100 AMP LOOP.  
 2 INCH FOR 4/0 CONDUCTORS=200 AMP LOOP.  
 3 INCH FOR 350 CONDUCTORS=300 AMP LOOP.
2. DISCONNECT SWITCH AND SERVICE PANEL.
3. PIPE STRAPS AND COUPLINGS AS NEEDED.
4. THREE WIRE INSULATED SERVICE ENTRANCE CABLES AND STUB OUT NIPPLE WITH LOCKNUT AND END BUSHING.
5. CONDUIT BOX HUB WITH LOCKNUT AND END BUSHING FOR CONNECTION TO THE METER BASE. ADAPTER IS ALSO REQUIRED WHEN USING PVC.
6. COPPER GROUND WIRE.
7. WEATHERHEAD.
8. 5/8 INCH BY 8 FT LONG COPPER CLAD GROUND ROD WITH COPPER WIRE TO ROD CLAMP.
9. NO UTILITY SERVICE LINES WILL BE INSTALLED OVER ANY STRUCTURE.
10. A MAIN DISCONNECT IS REQUIRED FOR SEVEN OR MORE CIRCUIT BREAKERS. NEC 230-71.

## NOTES:

1. IT IS RECOMMENDED THAT THE CONSUMER HAVE THE WIRING BE DONE BY A LICENSED ELECTRICIAN, AND ALL OF CONSUMER'S WIRING COMPLY WITH THE NATIONAL ELECTRIC CODE.
2. THE ELECTRIC COOPERATIVE WILL NOT CONNECT AND PROVIDE SERVICE IF THE SERVICE ENTRANCE DOES NOT AT LEAST MEET THE REQUIREMENTS OF THIS DRAWING.
3. NO UTILITY LINES WILL BE INSTALLED OVER ANY STRUCTURE.

THRU ROOF MAST TYPE OVERHEAD SERVICE  
 COMBINATION ENTRANCE TYPE  
 120/240 VOLT SINGLE PHASE 100 AMP, 200 AMP, & 300 AMP





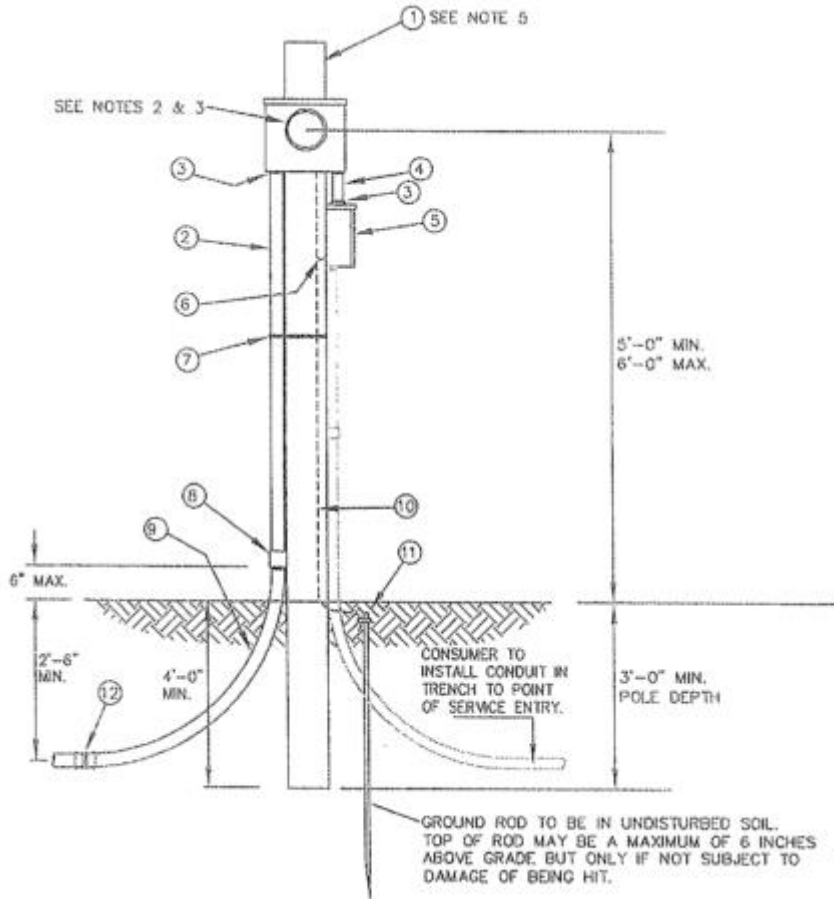
**BUILDING MOUNTED OVERHEAD SERVICE  
MAIN DISCONNECT INSIDE BUILDING  
120/240 VOLT – 100 AMP, 200 AMP, & 300 AMP**

**CONSUMER TO PROVIDE AND HAVE INSTALLED:**

1. SERVICE DROP PROVIDED BY CO-OP AND WILL BE INSTALLED ON EYEBOLT PROVIDED BY CONSUMER.
2. WEATHERHEAD
3. SCHEDULE 80 GRAY PVC, OR RIGID GALVANIZED STEEL CONDUIT, CONDUIT SIZES:  
 2" FOR #2 CONDUCTORS = 100 AMP LOOP.  
 2" FOR 4/0 CONDUCTORS = 200 AMP LOOP.  
 3" FOR 350 CONDUCTORS = 300 AMP LOOP.
4. PIPE STRAPS AND COUPLINGS AS NEEDED
5. IF LENGTH OF CONDUIT EXCEEDS 10 FEET, A COUPLING IS PERMITTED ON END ADJACENT TO METER BASE.
6. CONDUIT BOX HUB WITH LOCKNUT AND END BUSHING FOR CONNECTION TO THE METER BASE. ADAPTER IS ALSO REQUIRED WHEN USING PVC.
7. THREE WIRE INSULATED SERVICE ENTRANCE CABLES AND STUB OUT NIPPLE WITH LOCKNUT AND END BUSHING.
8. DISCONNECT SWITCH AND SERVICE PANEL.
9. METER BASE
10. COPPER GROUND WIRE.
11. 5/8 INCH BY REQUIRED LENGTH GALVANIZED EYEBOLT WITH 4 INCH SQUARE WASHER, NUT AND LOCKNUT.
12. PORCELAIN INSULATOR AND CLEVIS TYPE WIRE HOLDER. USE THIS IF EYEBOLT 11 CANNOT BE USED.
13. 5/8 INCH BY 8 FT LONG COPPER CLAD GROUND ROD WITH COPPER WIRE TO ROD CLAMP.
14. A MAIN DISCONNECT IS REQUIRED FOR SEVEN OR MORE CIRCUIT BREAKERS. NEC 230-71.

**NOTES**

1. IT IS RECOMMENDED THAT THE CONSUMER HAVE THE WIRING BE DONE BY A LICENSED ELECTRICIAN AND ALL OF CONSUMER'S WIRING COMPLY WITH THE NATIONAL ELECTRIC CODE.
2. IF MAIN DISCONNECT IS LOCATED GREATER THAN 3 FEET FROM THE METER LOCATION THE CONSUMER IS TO PROVIDE A MAIN DISCONNECT ON OUTSIDE OF THE DWELLING ADJOINING THE METER BASE.
3. THE ELECTRIC COOPERATIVE WILL NOT CONNECT AND PROVIDE SERVICE IF THE SERVICE ENTRANCE DOES NOT AT LEAST MEET THE REQUIREMENTS OF THIS DRAWING.
4. NO UTILITY LINES WILL BE INSTALLED OVER ANY STRUCTURE.



**CONSUMER TO PROVIDE AND HAVE INSTALLED:**

1. MINIMUM 6" ROUND OR 4" X 6" TREATED POLE OR EQUIVALENT
2. SCHEDULE 80 GRAY PVC CONDUIT OR RIGID GALVANIZED STEEL CONDUIT WITH UV PROTECTION. SIZED PER TABLE BELOW
3. WEATHERPROOF CONDUIT TO BOX HUBS
4. 6" MINIMUM CONDUIT NIPPLE
5. WEATHERPROOF DISCONNECT SWITCH
6. CONNECTOR & BONDING JUMPER FOR SERVICE EQUIPMENT SIZED PER TABLE BELOW
7. CONDUIT STRAP
8. THREADED COUPLING, ADAPTER, OR SLEEVE AS APPROPRIATE (ABOVE GROUND)
9. 36" RADIUS - FACTORY BEND (IF PVC, SCHEDULE 80 REQUIRED)
10. COPPER GROUND WIRE SIZED PER TABLE BELOW
11. 5/8 INCH X 8 FOOT COPPER CLAD GROUND ROD AND CLAMP
12. PROTECTIVE BUSHING REQUIRED ON END OF CONDUIT UNLESS COMPLETE CONDIT SYSTEM IS USED

**NOTES:**

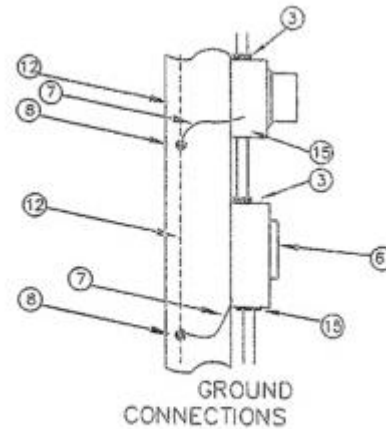
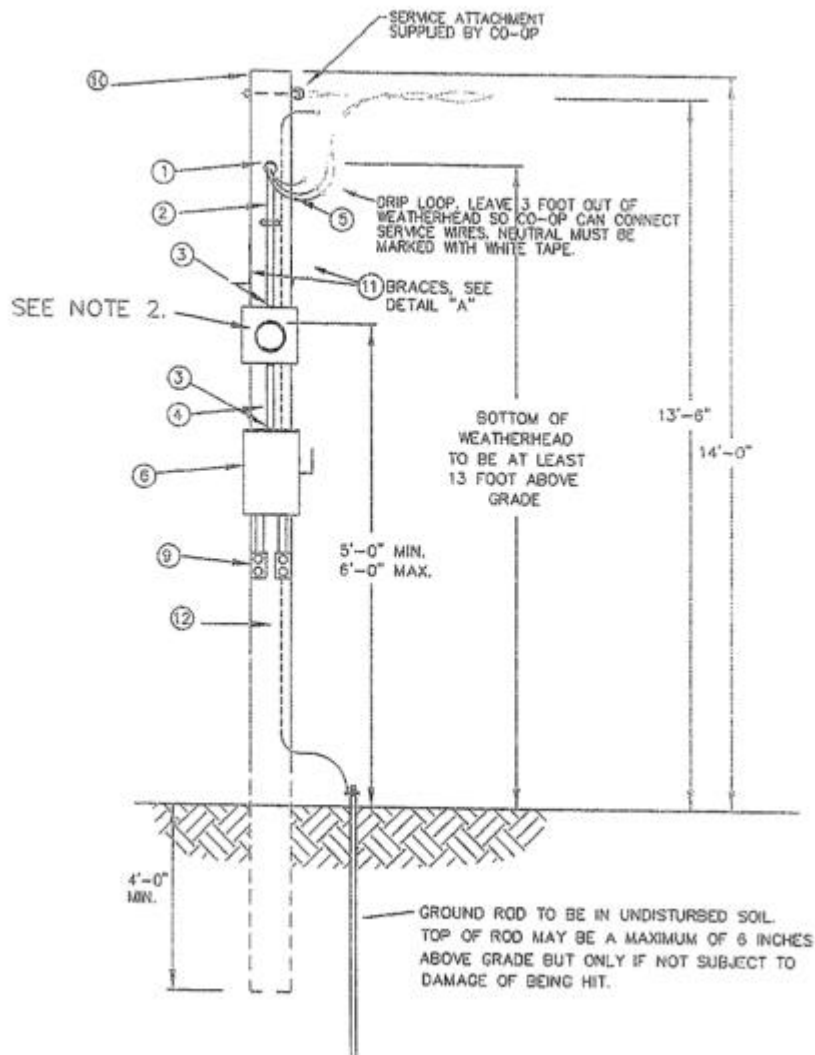
1. IT IS RECOMMENDED CONSUMER'S WIRING BE DONE BY A LICENSED ELECTICIAN, AND ALL OF CONSUMER'S WIRING COMPLY WITH THE NATIONAL ELECTRIC CODE.
2. CO-OP WILL FURNISH THE METER.
3. CONSUMER TO FURNISH AND HAVE THE METER BASE INSTALLED, AND THE CONNECTIONS OF THE WIRES INSIDE THE METER BASE.
4. THE ELECTRIC COOPERATIVE WILL NOT CONNECT AND PROVIDE SERVICE IF THE SERVICE ENTRANCE DOES NOT AT LEAST MEET THE REQUIREMENTS OF THIS DRAWING.
5. PHYSICAL LOCATION OF POLE WILL BE APPROVED BY THE CO-OP.
6. LOCATION OF UNDERGROUND CABLES MUST BE IDENTIFIED PRIOR TO DIGGING.
7. WHEN INSTALLING CONDUIT SYSTEM, CUSTOMER SHALL EXTEND CONDUIT TO POLE OR UNDERGROUND SYSTEM. CONSULT THE CO-OP FOR DETAILS.

METER SIZE	CONDUIT SIZE	ALUMNIMUM	COPPER	NEUTRAL (INSULATION PER NEC)	GROUND WIRE SIZE
100 AMP	2"	#2	#4	SAME AS PHASE	#6 CU
200 AMP	2"	4/0	2/0	SAME AS PHASE	#4 CU

CONDUCTOR INSULATION SHALL BE TYPES, RHW, THW, THWN, USE. OTHER TYPES MAY BE ALLOWED THAT MEET OR EXCEED THESE TYPES THAT ARE LISTED AS SUITABLE FOR THE EQUIVALENT APPLICATION REQUIREMENTS PER TABLE 310.13 OF THE NATIONAL ELECTRIC CODE.

UNDERGROUND SERVICE TO A MOBILE HOME  
120/240 VOLT - SINGLE PHASE





CONSUMER TO PROVIDE AND HAVE INSTALLED:

1. WEATHERHEAD
2. CONDUIT
3. WEATHERPROOF CONDUIT TO BOX HUBS
4. 6" LONG CONDUIT NIPPLE
5. THREE WIRE INSULATED SERVICE ENTRANCE CABLES
6. WEATHERPROOF DISCONNECT SWITCH
7. BONDING JUMPER FOR SERVICE EQUIPMENT (#6 CU. MINIMUM)
8. CONNECTOR FOR BONDING JUMPER TO #6 CU. POLE GROUND WIRE
9. 6" x 6" SQUARE OR 5" ROUND AT TOP BY 18 FOOT POST
10. NO. 6 COPPER GROUND WIRE
11. 5/8 INCH X 8 FOOT COPPER CLAD GROUND ROD AND CLAMP
12. 5/8" GALV. EYE BOLT
13. LOCKNUT AND END BUSHINGS

NOTES:

1. IT IS RECOMMEND CONSUMER'S WIRING BE DONE BY A LICENSED ELECTRICIAN, AND ALL OF CONSUMER'S WIRING COMPLY WITH THE NATIONAL ELECTRIC CODE.
2. CO-OP WILL FURNISH THE METER.
3. CONSUMER TO FURNISH AND HAVE THE METER BASE INSTALLED AND THE CONNECTIONS OF THE WIRES INSIDE THE METER BASE.
4. THE ELECTRIC COOPERATIVE WILL NOT CONNECT AND PROVIDE SERVICE IF THE SERVICE ENTRANCE DOES NOT AT LEAST MEET THE REQUIREMENTS OF THIS DRAWING.
5. PHYSICAL LOCATION OF THE POLE WILL BE APPROVED BY THE CO-OP.

OVERHEAD SERVICE  
120/240 VOLT – SINGLE PHASE